

## **Mv MANISA BIANCA**

**IMO number/Flag/Built:**

- IMO: 9235490
- Flag: Portugal
- Built: 2000

**Tonnage:**

- DWT: about 9.616 mt
- GT/NT: 6.382 / 3.419

**Type:**

- Multipurpose Dry Cargo Vessel – Singledecker / 11 Panels Tweendecker
- Strengthened for heavy cargoes
- Equipped for carriage of containers

**Dimensions:**

- LOA: 129,45 m
- LBP: 123,49 m
- Breadth moulded: 15,85 m
- Draft Summer SW: 7,74 m
- WLTHC (ballast): 8,10 m
- Keel to top of mast: 37,00m

**Hatches/ Holds:**

- Number of holds / hatches: 2
- Box shaped holds except for part No.1 and aft part No.2 where hold is narrowing
- Hatch/Hold No.1: 38,95m x 13,15m x 11,05m (5 panels), LxWxH
- Hatch/Hold No.2: 52,19m x 13,15m x 11,05m (10 panels), LxWxH

**Tweendeck:**

11 panels

- All pontoons can be worked by cargo crane/ gantry crane
- t/d No.1 abt. 4,45m x 13,15m (1pcs), LxW, of abt. 16,7mts
- t/d No. 2-5 abt. 5,45m x 13,15m (2pcs), LxW, each of abt. 20,5mts
- t/d No. 6-10 and No. 12-15 abt. 5,45m x 13,15m (7pcs), LxW, each of abt. 20,5mts
- t/d No. 11 abt. 2,96m x 13,15m (1pcs), LxW, of abt. 11,9mts

**Capacity:**

- Grain/Bale Space abt. 451.100 cbft / 12.775 cbm without td covers
- Hold 1 abt. 184.850 cbft / 5.235 cbm
- Hold 2 abt. 266.250 cbft / 7.540 cbm
- Grain/Bale Space abt. 425.803 cbft / 12.059 cbm with td covers
- Hold 1 abt. 175.526 cbft / 4.971 cbm
- Hold 2 abt. 250.277 cbft / 7.088 cbm

**Cranes**

- 2x60mt SWL combinable up to 120mt SWL
- max. outreach SWL 60mt/ 16 m, SWL 40mt/ 26m, SWL 30mt/ 28,4 m
- Starboardside mounted
- 2 X Liebherr type-CBW 60(40)30 / 16(26)28.4 ST

**Floor space:**

- Total of abt. 3340 sqm of which:

	<b>Tweendeck</b>	<b>Tanktop</b>	<b>Weatherdeck</b>
Hold 1	346 sqm	476 sqm	476 sqm
Hold 2	686 sqm	667 sqm	686 sqm
Strenght	3,5 mtons/m2	20mtson/m2	1,75 mtons/m2

**Machinery/Propeller**

- MAK 9 M32 - 4.320 kW at 600 rpm
- controllable pitch propeller
- Auxiliary engine Caterpillar 3412 DI-TA 3pcs X 265KW each

**Generators/Bowthruster:**

- 1 shaft generator, 700 kW
- 3 diesel generators of 382 kW
- 1 emergency generator
- Bowthruster: 400 kW

**Container capacity:**

- Total: 562 TEU, a 14mt: 289 TEU
- In Hold: 300 TEU/134 FEU, a 14mt: 262 TEU
- On Deck: 262 TEU/126 FEU, a 14mt: 27 TEU

**Reefer plugs:**

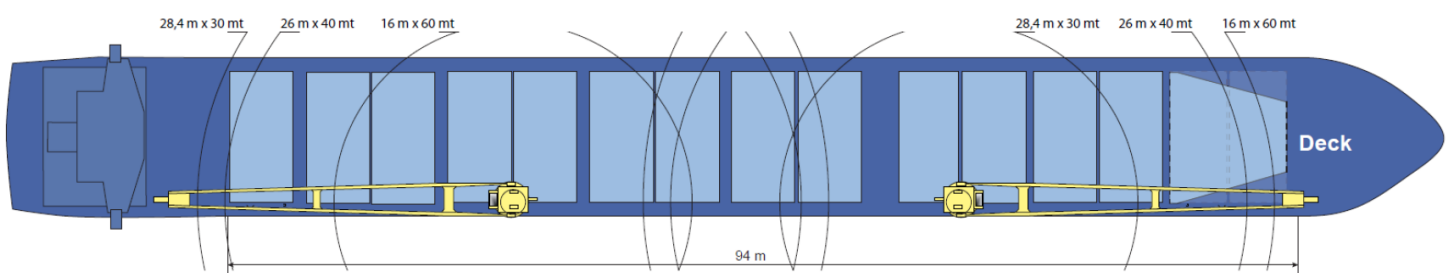
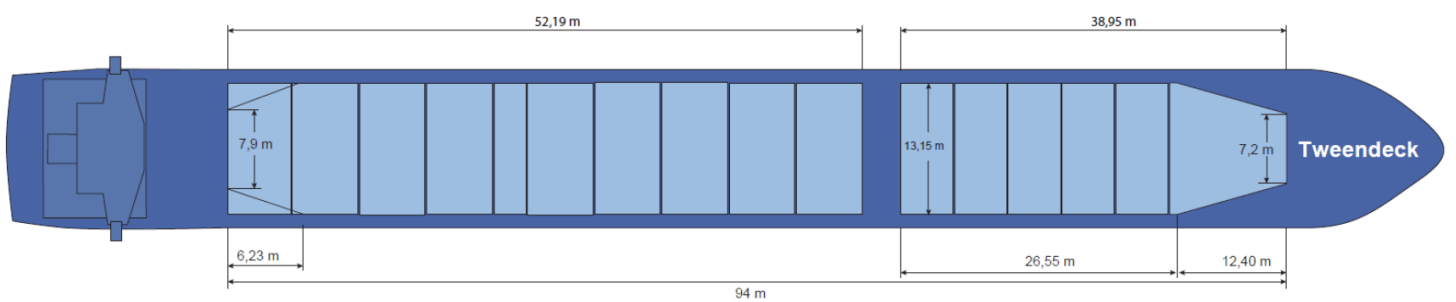
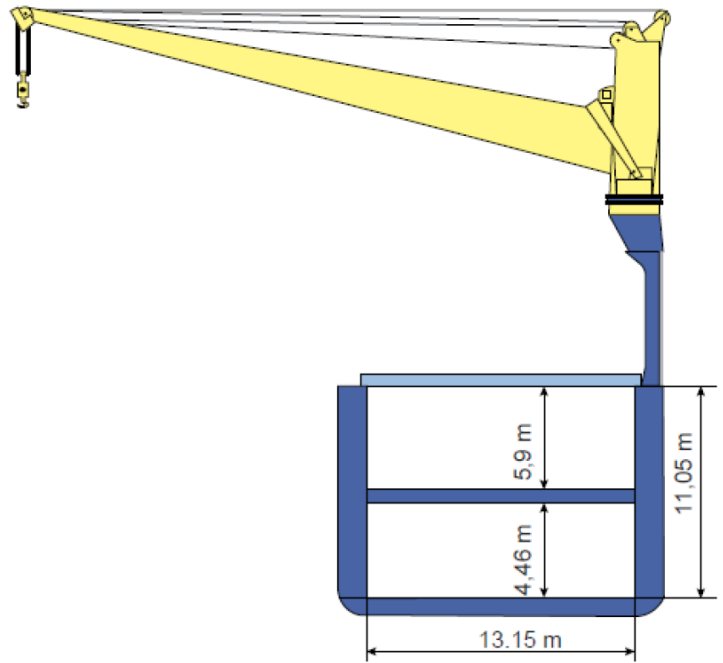
- 40 reefer receptacles for 20' containers

**Hold equipment:**

- Suitable for IMO Cargoes
  - Cargo light fitted in all cargo holds
  - Cargo hold ventilations:
- Hold 1 26.000 cbm/hour x 2 pcs  
 Hold 2 36.000 cbm/hour x 2 pcs

*All details are 'about' given in good faith without guarantee*

# MANISA CHARTERING



# MANISA CHARTERING

---

